

**CITY OF BROOKSVILLE**  
**REQUEST FOR PROPOSAL**  
**PURCHASE, DELIVERY AND INSTALLATION OF**  
**THREE (3) SEWAGE LIFT STATIONS STANDBY**  
**GENERATORS AT EMERGENCY SHELTERS**  
**PW2019-03**

\*\*\*\*\*

**ADDENDUM #2**  
**Date Issued – February 22, 2019**

\*\*\*\*\*

TO: All prospective proposers:

This addendum is being issued to clarify or address the following:

1. Question:

Please consider changing the requirement for an EPA Tier 4 diesel generator. Per EPA guidelines stationary standby rated diesel generators can be certified to the previous EPA tier level, which in this case is EPA Tier 3, because they do not run all that much. The specification as written exceeds current EPA regulations and would preclude some manufacturers from participating. Since these are standby generators, would you accept EPA Tier 3?

Answer:

**Yes, EPA Tier 3 units are acceptable. EPA allows manufacturers to produce a limited supply of these units each year.**

2. Question:

Please confirm that the drawings furnished in the bid package will be available and adequate as the permitting plans we will submit for permitting

Answer:

**Yes, the bid package will be available and adequate as the permitting plans for the Contractor to submit for permitting. FDEP permitting is not required for this project, FRWA will notify the FDEP in writing prior to construction.**

3. Question:

Please confirm that sheet 9 of 9 is only for the design of the support of the ATS.

Answer:

**Yes the support design is intended solely for the Automatic Transfer Switch.**

4. Question:

Please confirm the following (see red responses to each):

- a. Note #1 can be changed to two posts **Yes, two posts are acceptable.**
- b. Notes 3 and 4 should be amended to the width of 2 posts and the ATS. **Notes 3 and 4 are amended below. The revised drawing is reissued and attached.**
  3. The control panel will be mounted on 12 gauge, 1-5/8" aluminum or stainless steel strut, which spans all ~~three (3)~~ posts, as needed. The new control panel will be mounted to the right side (depending on site requirements) of the equipment mounting stand, leaving room on the left half of the stand for future equipment.
  4. The mounting strut will be 8'-0" long ~~with one (1) center post for a three post configuration~~. The control panel mounting strut will be fastened to the 6" posts using 3/8" x 3" stainless steel sleeve anchors. All cut ends, struts and drilled holes will be deburred. All bolts, nuts and washers shall be stainless steel. Strut nuts (spring nuts) shall be stainless steel.
- c. Notes #7, 8 and 9 do not apply. **Notes 7, 8 and 9 are herein deleted. The revised drawing is reissued and attached.**
- d. Do you want the light fixture shown? **Yes, the light fixture is required.**
- e. Do you want the little slab shown? **The slab at the base of the control panel is optional for the contractor.**

Acknowledge receipt of the Addendum #2 by signing the document and attaching to Proposal Documents submitted. Failure to do so may subject the proposer to disqualification.

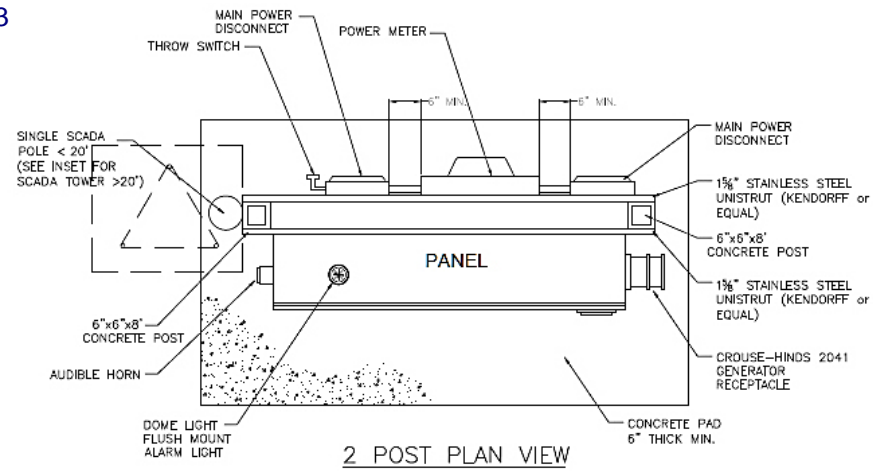
\_\_\_\_\_  
Authorized Signature

\_\_\_\_\_  
Date Acknowledged

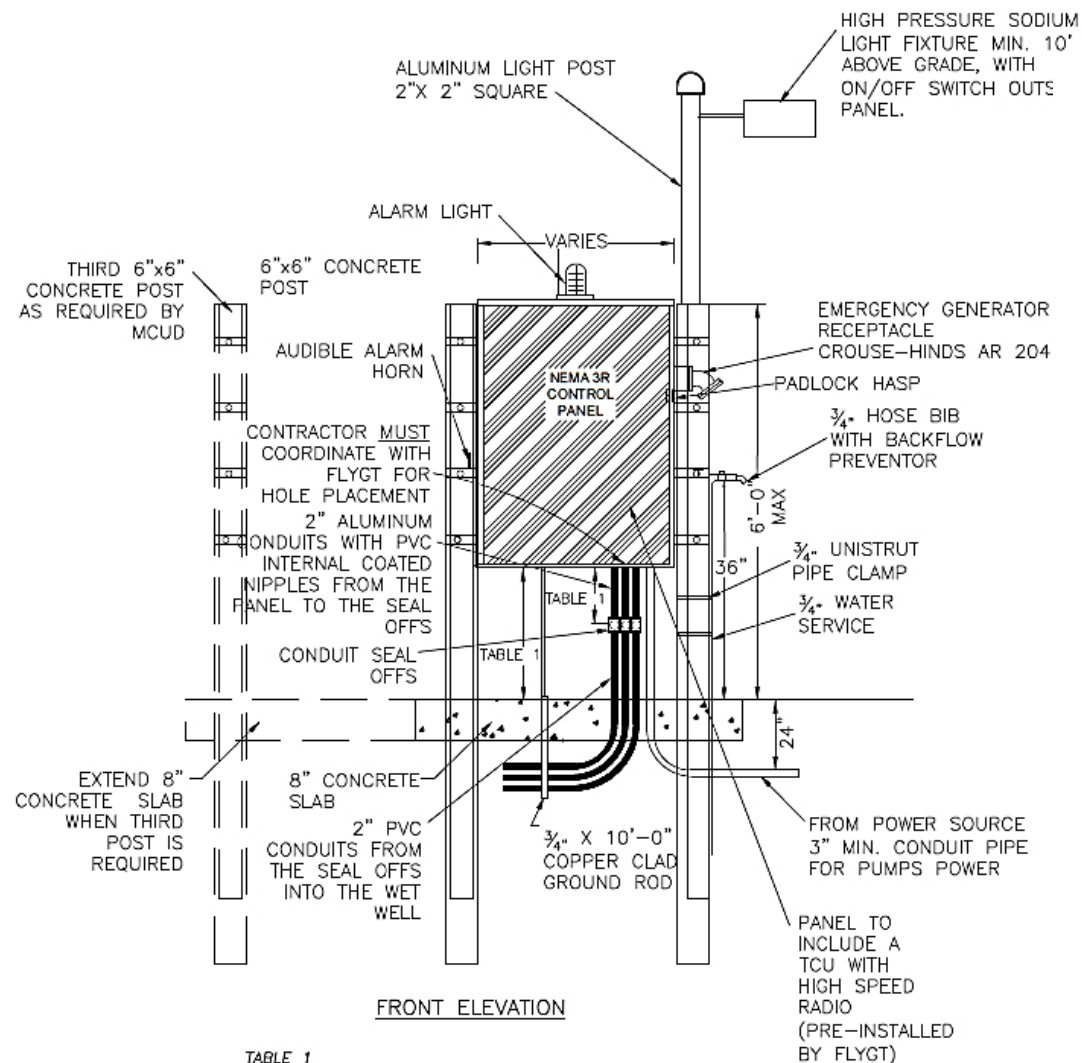
ATTACHMENT TO ADDENDUM

NO 2 - PW2019-03

ISSUED 2-22-19



2 POST PLAN VIEW



FRONT ELEVATION

TABLE 1

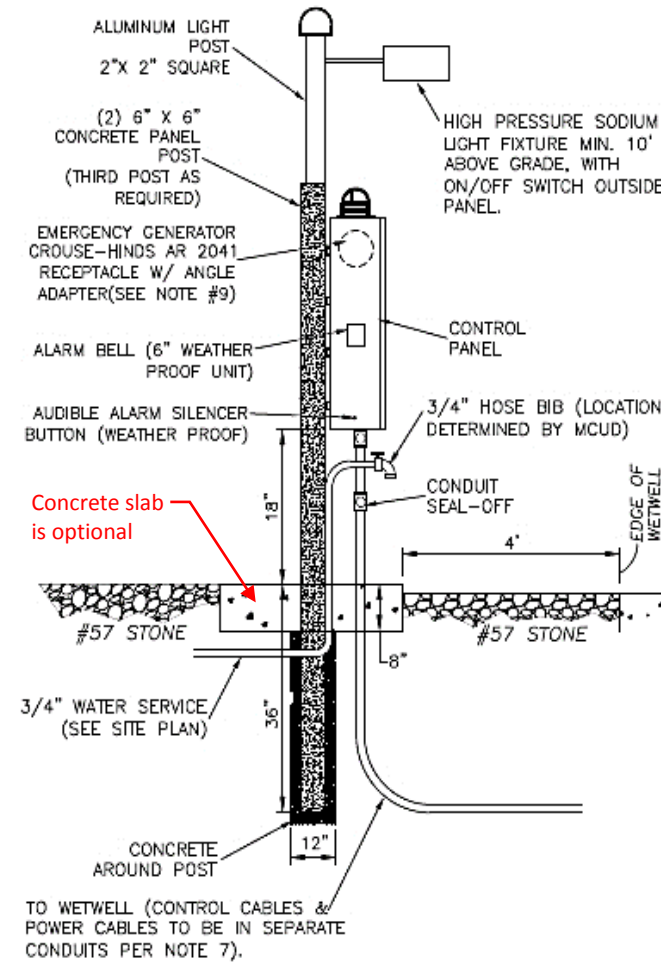
PANEL SIZE HEIGHT	PANEL HEIGHT ABOVE GRADE	SEAL OFF DISTANCE BELOW PANEL
36"	36"	18"
42"	24"	15"
48"	24"	12"
60"	12"	6"

Notes:

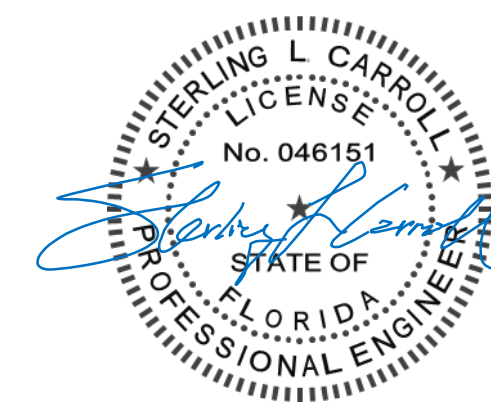
1. Set covers flush in paved areas 0.1' above in unpaved areas and 0.75' below grade in graded roads
2. Triplex pump stations require additional specifications. Contact Brooksville Public Works Dept. for information.

Notes:

1. A new equipment mounting stand consists of three (3) each concrete posts and aluminum or stainless steel strut to be constructed by the contractor. For control panels that are 48" high x 36" wide x 12" deep (or smaller), 6" x 6" by 9'-0" long posts will be used to construct the equipment mounting stand. For enclosures larger than 48" high x 36" wide x 12" deep, 6" x 6" by 10'-0" concrete posts will be used.
2. The concrete posts will be stabilized using two (2) each 80 lb. bags of concrete mix per post, one (1) bag around the base of the post and the second bag approximately 3" below grade. The concrete will be allowed to set a minimum of 16 hours prior to mounting the control panel. Care is to be taken to ensure all posts are plumb, in line, and at equal height.
3. The control panel will be mounted on 12 gauge, 1-5/8" aluminum or stainless steel strut, which spans all ~~three (3)~~ posts, as needed. The new control panel will be mounted to the right side (depending on site requirements) of the equipment mounting stand, leaving room on the left half of the stand for future equipment.
4. The mounting strut will be 8'-0" long with one (1) center post for a three post configuration. The control panel mounting strut will be fastened to the 6" posts using 3/8" x 3" stainless steel sleeve anchors. All cut ends, struts and drilled holes will be deburred. All bolts, nuts and washers shall be stainless steel. Strut nuts (spring nuts) shall be stainless steel.
5. The panel mounting height will be noted in table 1.
6. Brooksville Public Works Dept. requires the use of Crouse Hinds EYSR63 Split Conduit Seal Offs at distance noted in table 1. Use aluminum nipples with internal PVC coating between panel & seal offs.
7. Routing of the pump power cords and control cords will be thru a minimum of three (3) 2" Schedule 80 PVC conduits, one (1) conduit for each pump power cord, and one (1) conduit for the two float switch cords and the pressure transducer cable. The contractor will pull strings in all conduits. Brooksville Public Works Dept. personnel will install the control cords. Any coring of holes into the wetwell is the responsibility of the contractor, as is the grouting of any conduit into the wetwell. Location of cored holes must be confirmed with the Brooksville Public Works Dept. inspector.
8. Equip the facility with a SCADA system to monitor power usage, pump operation, fluid level, etc.
9. Generator receptacle shall be on the outside of the control panel on the side opposite from the audible alarm.



SIDE ELEVATION



January 24, 2019  
Sterling L. Carroll, P.E.  
FL PE# 46151

Automatic Transfer Switch Panel Details

**Florida Rural Water Association**  
2970 Wellington Circle  
Tallahassee, FL 32308-6885  
Phone: (850) 668-2746  
Certificate of Authorization No.: 29291  
e-mail: sterling.carroll@frwa.net

Addendum No. 2

2/22/19 SLC	
-------------	--

City of Brooksville, Florida  
201 Howell Ave., Ste 300, Brooksville, FL 34601, (352) 942-5767  
Lift Station Generators at Emergency Shelters  
Automatic Transfer Switch Panel Details

SCALE:  
Noted  
Sheet  
9 of 9